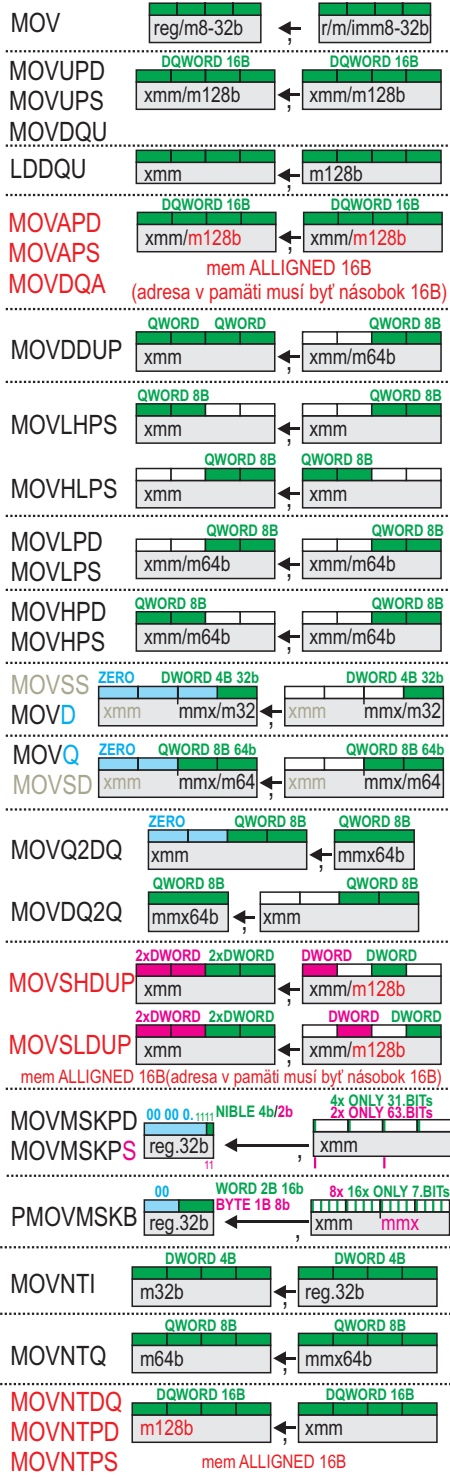
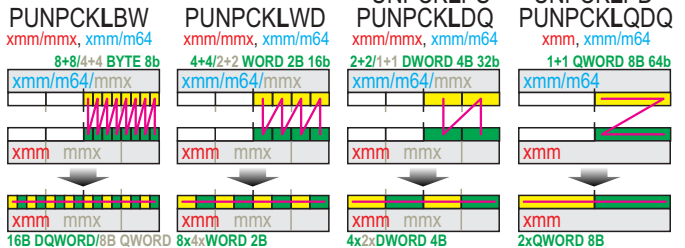
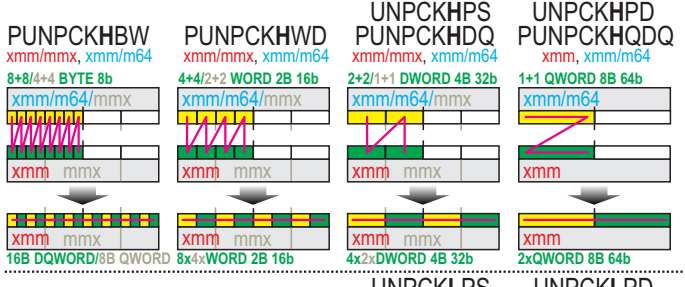
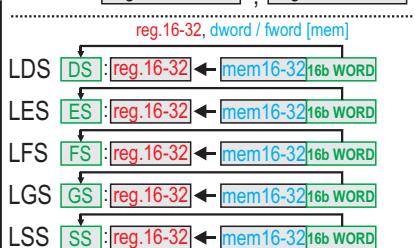
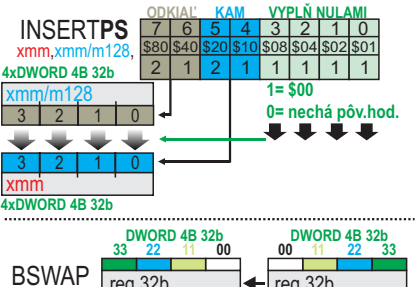
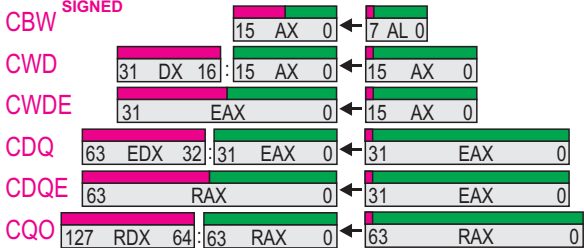
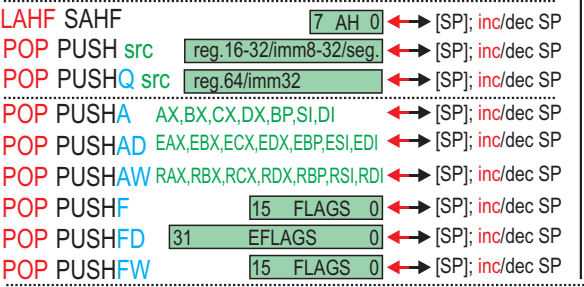
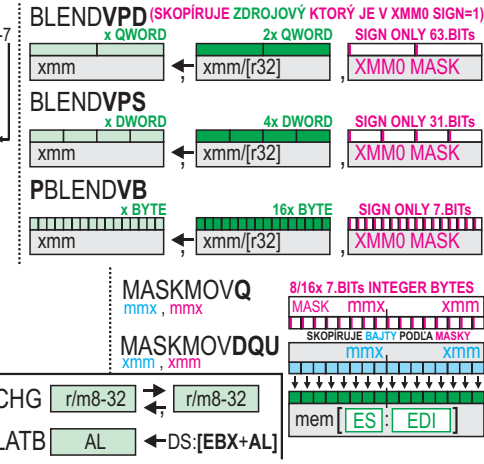
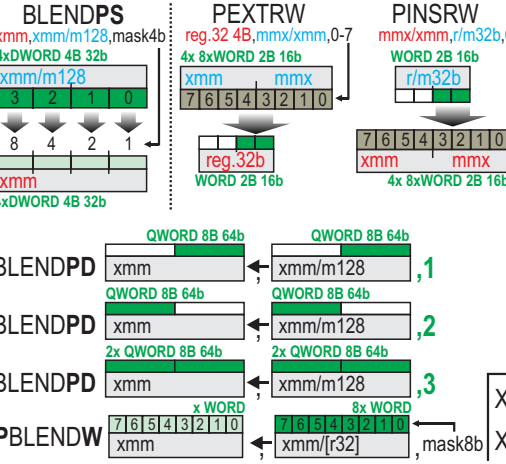
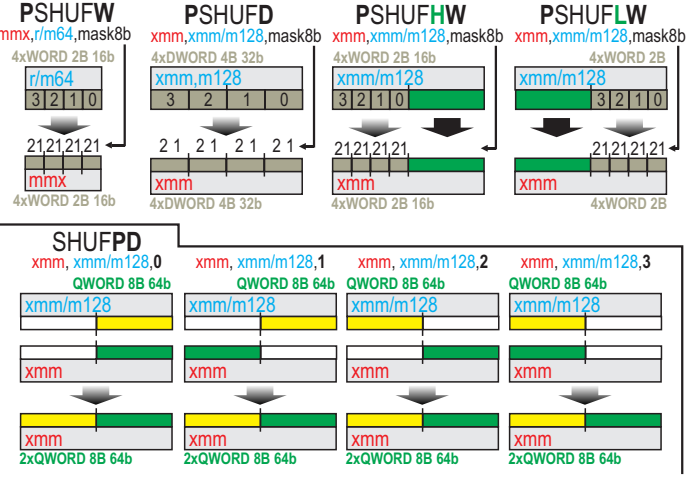
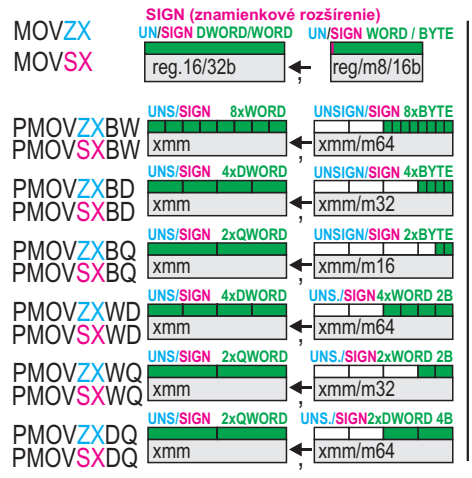


# PRENOSNÉ INŠTRUKCIE



BIT	FLAG	1	0
6	ZF	CMOVZ CMOVE	CMOVNZ CMOVNE
0	CF	CMOVC CMOVB CMOVNAE	CMOVNC CMOVB NB CMOVAE
7	SF	CMOVSS	CMOVNS
2	PF	CMOVP CMOVPE	CMOVNP CMOVPO
11	OF	CMOVO	CMOVNO
CF or ZF =		CMOVBE	CMOVNA
CF and ZF =		CMOVA	CMOVNBE
SF=OF ZF=		CMOVG	CMOVNLE
SF<>OF ZF=		CMOVLE	CMOVNG
SF=OF		CMOVGE CMOVNL	
SF<>OF		CMOVL CMOVNGE	



07.01.2010